

## AL4424

### 4" Broad Area Linear Array



- Aii** Provides very even illumination along the 100mm length of the light, with controlled “fall off” in the transverse direction.
- Aii** Designed to provide low angle of incidence illumination over a long, wide area.

#### Ordering Information

Standard Product:  
Shipped Next Day

**AL4424-660**

Configured for use with Ai  
Power Supply

**AL4424-66024**

Configured for use with user  
supplied 24vDC power

Standard Product Variation:  
Shipped Within Two Weeks

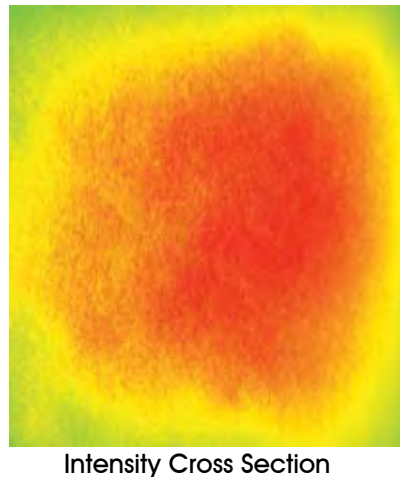
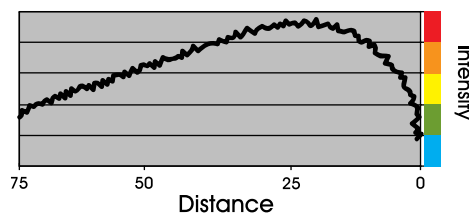
	Spectral wavelength	Optional power Compatibility	Alternative Connector
AL4424 -	XXX	XX	XXX
	(UV) 395 *	IC	M12*
	(blue) 470 †	IS	
	(green) 520 †	C2	
	(yellow) 590	C3	
	(orange) 625	C5	
	(red) 660	12	
	(infra-red) 880	24	
	(white) WHI †		

\*UV LEDs have a considerably shorter half-life than other LEDs (<1000hrs). For this reason Ai recommends these LEDs be used in strobe mode only. For applications requiring continuous 24v power, contact Ai for assistance.

IC = iCS (requires 24v power supply)  
IS = iSU (requires 24v power supply)  
C2 = Ai Connector  
C3 = Pulsar 710 Connector  
C5 = Pulsar 320 Connector  
\* Available with IC and 24v options only  
† Not available in 12v

#### Light Consistency Information

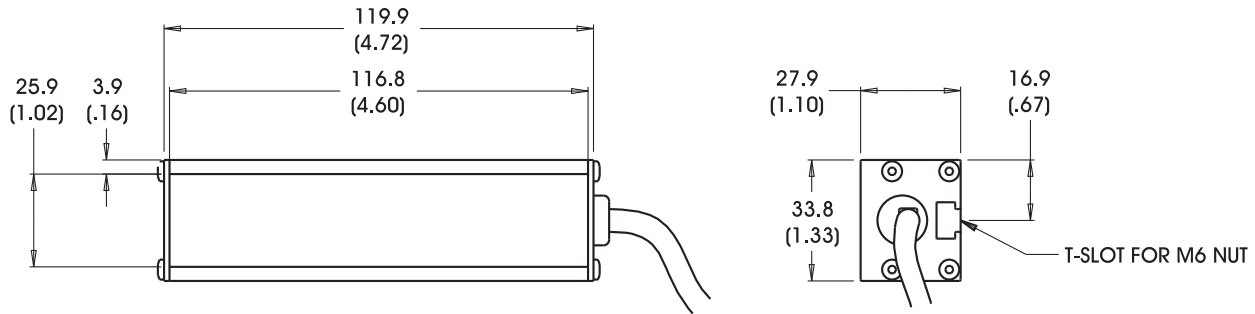
Intensity Distribution



Intensity Cross Section

## Dimensional Information

[Click for Installation Models & Drawings](#)



Cable Length: 1.5 Meter (4.9')

DIMENSIONS ARE IN MILLIMETERS (INCHES)

### Standard Variation Current Specifications

	blue	green	yellow	orange	red	infra-red	white	RGB	
@12	N/A	N/A	80	80	120	120	N/A	N/A	mA
@24	80	80	40	40	60	60	80	N/A	mA
Ai	80	80	80	80	120	120	80	N/A	mA

### General Specifications

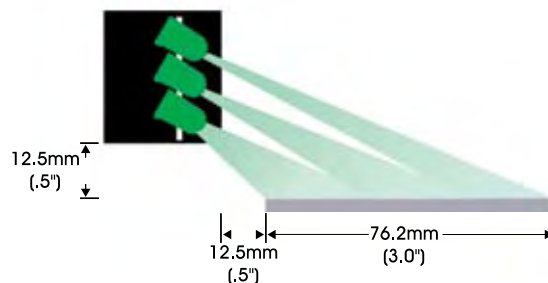
Weight:	227 g (.51lb)
Finish:	Black Anodized
Operating Temperature:	0-60°C
Meets Specifications:	CE, RoHS

### Standard Product Information

Red	Max. Illumination	Irradiance (mW/cm <sup>2</sup> )	Illuminance (Lux)
	Working Distance: 1.5"/.5"	.26	N/A
	Working Distance: 3.0"	.95	N/A
	Lifetime	50,000 hrs	
White	Max. Illumination	Irradiance (mW/cm <sup>2</sup> )	Illuminance (Lux)
	Working Distance: 2.0"/.5"	.61	2,000
	Working Distance: 3.0"	1.47	4,500
	Lifetime	10,000 hrs	

### Additional Information

#### Light Set Up Diagram



802.767.3830